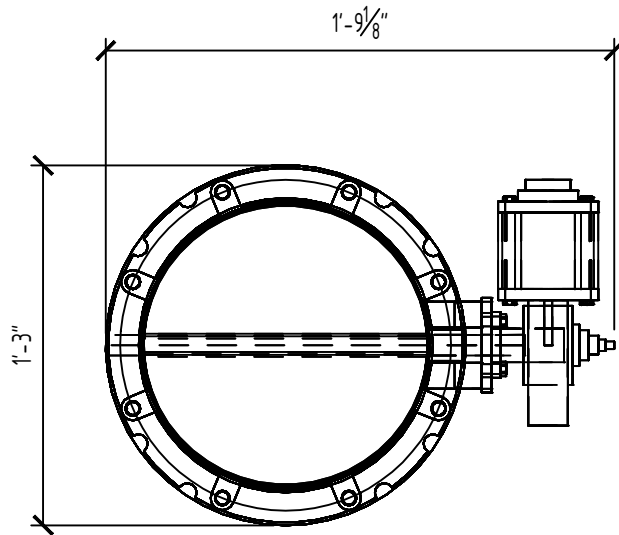
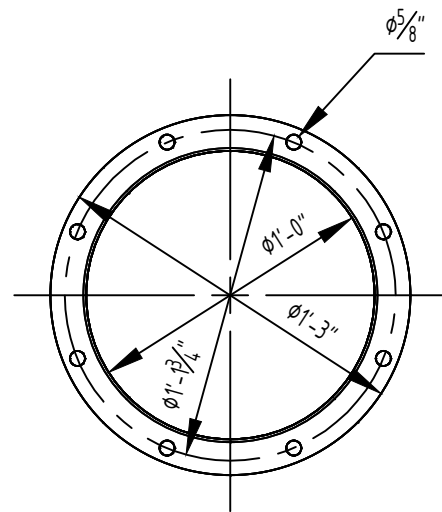




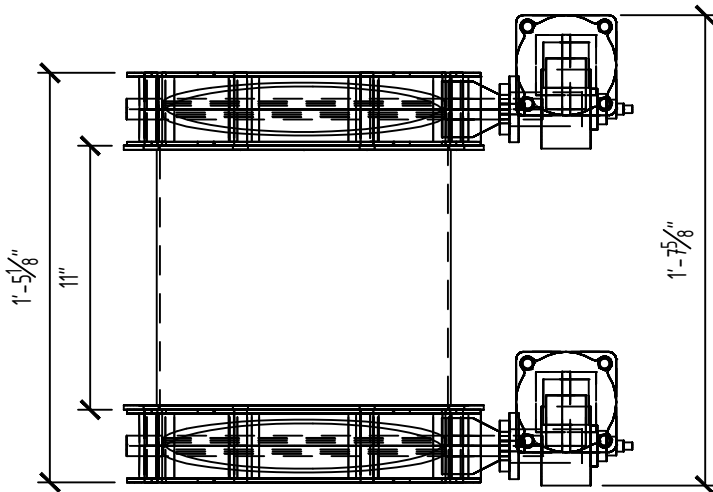
Explosion Isolation ATEX 0.3 Bar DOUBLE DUMP VALVE



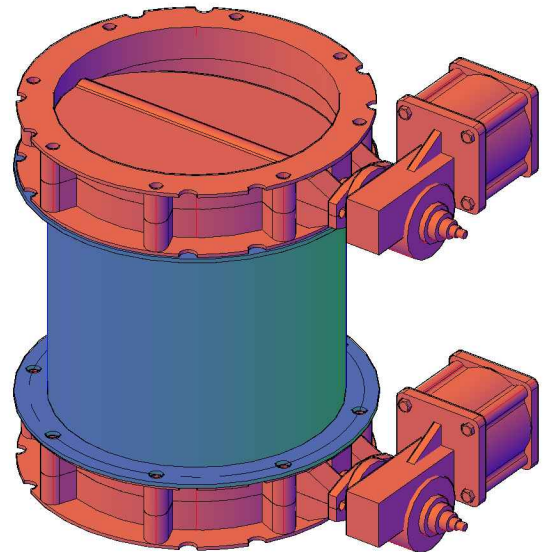
PLAN VIEW



FLANGE PATTERN



ELEVATION VIEW



PERSPECTIVE

Patent Pending

THIS DRAWING AND DESIGN, INCLUDING, BUT NOT LIMITED TO ALL PATENTABLE FEATURES SEPARATELY OR COLLECTIVELY SHOWN ARE THE PROPERTY OF XP PRODUCTS, INC. AND ARE NOT TO BE REPRODUCED IN WHOLE OR IN PART, NOR EMPLOYED FOR ANY PURPOSE OTHER THAN SPECIFICALLY PERMITTED IN WRITING BY XP PRODUCTS, INC. THIS DRAWING IS LOANED SUBJECT TO RETURN ON DEMAND.

www.xpproducts.com

engineering@xpproducts.com

Client:

Date:

DATE

Model:

XP-DD-12X11

DWG NO:

2017-DD-300-11

Rev.

REV